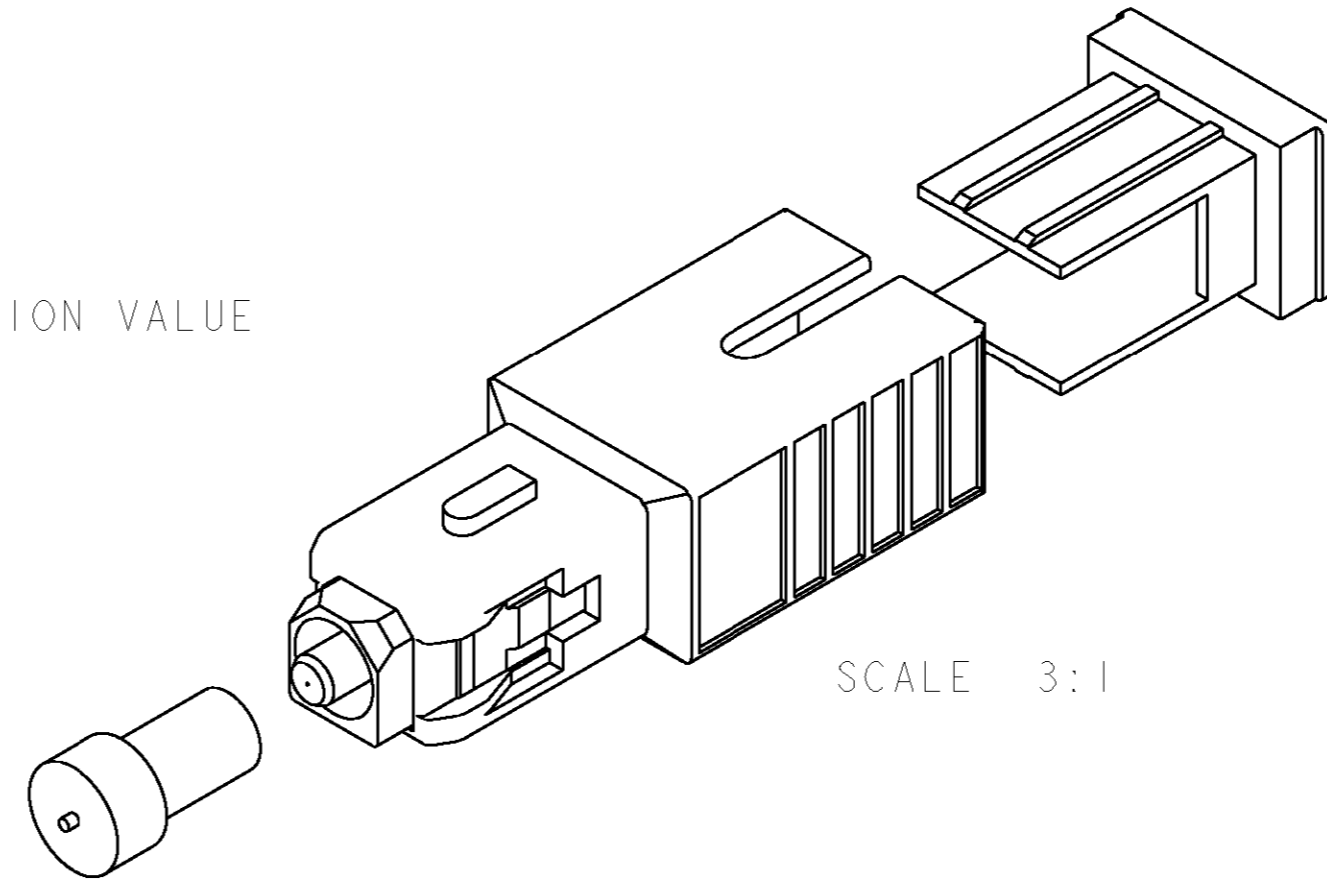


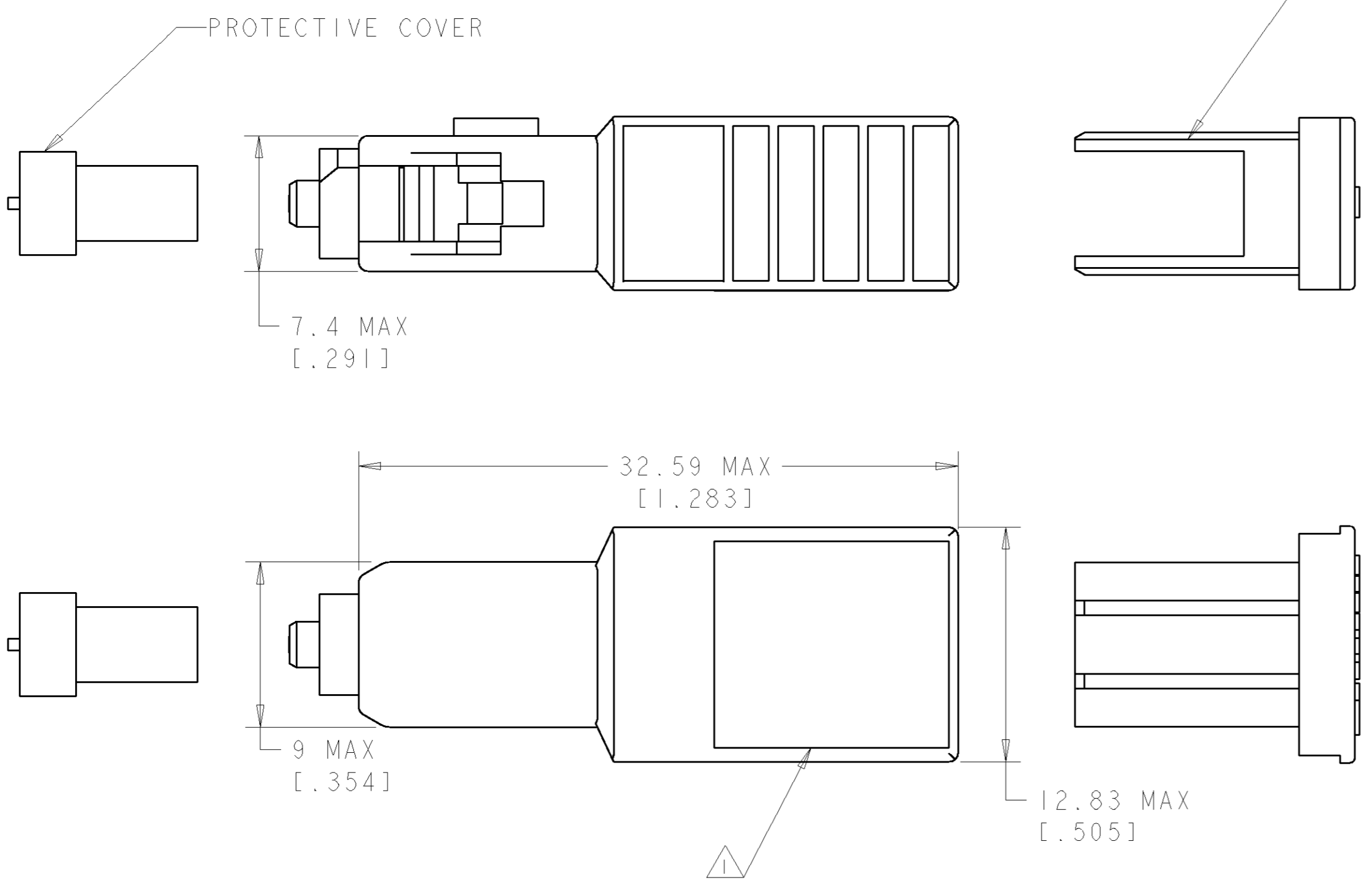
THIS DRAWING IS UNPUBLISHED. RELEASED FOR PUBLICATION 20
 © COPYRIGHT 20 BY TYCO ELECTRONICS CORPORATION. ALL RIGHTS RESERVED.

LOC	DIST	REVISIONS					
		P	LTR	DESCRIPTION	DATE	DWN	APVD
CE	00		B	ECR-06-029231	23MAR2007	EJH	SB

PERFORMANCE REQUIREMENTS:
 OPERATING WAVELENGTH : 1310/1550 ±25nm
 REFLECTANCE : ≤ -55dB
 OPERATING TEMPERATURE : -40°C TO +75°C
 ATTENUATION TOLERANCE, AMBIENT :
 FOR 0 dB ATTENUATORS : + 0.50dB MAX
 FOR ATTENUATORS ≤ 5dB : ± 0.50dB
 FOR ATTENUATORS >5dB : ± 10% OF NOMINAL ATTENUATION VALUE
 MEASURED WITH REFERENCE QUALITY LAUNCH LEADS



SCALE 3:1



NOMINAL ATTENUATION VALUE (dB)	PART NUMBER
0	9-5209943-9
1	5209943-1
2	5209943-2
3	5209943-3
4	5209943-4
5	5209943-5
6	5209943-6
7	5209943-7
8	5209943-8
9	5209943-9
10	1-5209943-0
11	1-5209943-1
12	1-5209943-2
13	1-5209943-3
14	1-5209943-4
15	1-5209943-5
16	1-5209943-6
17	1-5209943-7
18	1-5209943-8
19	1-5209943-9
20	2-5209943-0
25	2-5209943-5

⚠ TYCO LOGO, ATTENUATION VALUE, PART NUMBER, AND SERIAL NUMBER ARE PRINTED ON THE LABEL.

THIS DRAWING IS A CONTROLLED DOCUMENT FOR TYCO ELECTRONICS CORPORATION. IT IS SUBJECT TO CHANGE AND THE CONTROLLING ENGINEERING ORGANIZATION SHOULD BE CONTACTED FOR THE LATEST REVISION.		DWN E. HOPKINS 05DEC2005	Tyco Electronics Harrisburg, PA 17105-3608
DIMENSIONS: mm [INCHES]		CHK E. HOPKINS 05DEC2005	
TOLERANCES UNLESS OTHERWISE SPECIFIED: 0 PLC ± 1 PLC ± 2 PLC ± 3 PLC ± 4 PLC ± ANGLES ± FINISH -		APVD S. BUCHTER 05DEC2005	
MATERIAL -		PRODUCT SPEC - APPLICATION SPEC - WEIGHT -	
NAME		ATTENUATOR, FOPC BOA SC/UPC DW SM	
SIZE		CAGE CODE	RESTRICTED TO
A2		00779	-
DRAWING NO		SCALE 4:1 SHEET 1 OF 1 REV B	
C-5209943		CUSTOMER DRAWING	